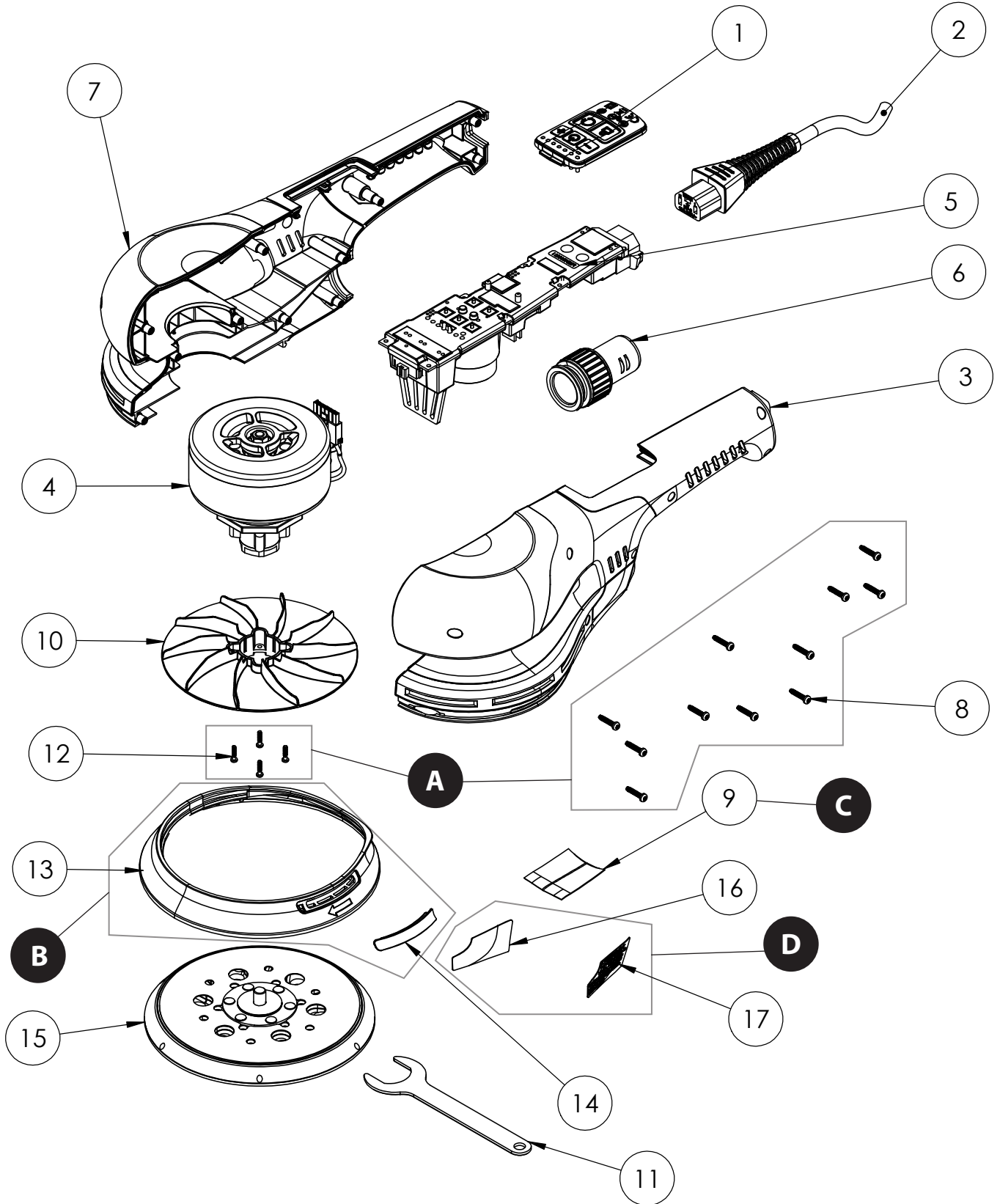


Exploded view of DEROS RS 600, 150 mm (220-240V), (100-120V)  
Updated 31.03.2023



## DEROS RS 600, 150 mm Spare Part kits (220-240V), (100-120V)

Electrical tool must be serviced by a qualified repair person and in accordance with national requirements.

**Note!** Repairs performed by non-authorized repairer will breach the Mirka warranty.

Mirka Code	Item	Description	Kit	Qty	Tightening Torque
<b>MRS6020811</b>		<b>Screw kit</b>			
	8	Screw 3 x 14 mm	A	11	1,3 Nm/1,0 ft-lb
	12	Screw 2.5 x 10 mm		4	0,6 Nm/0,4 ft-lb
<b>MRS6011311</b>		<b>Skirt kit</b>			
	13	Skirt	B	1	
	14	Skirt Cap		1	
<b>MRS6020911</b>		<b>Type Label kit EU, UK 220-240V</b>	C		
	9	Type Label EU		10	
<b>MRS6020911US</b>		<b>Type Label kit US, CA 100-120V</b>	C		
	9	Type Label US		10	
<b>MRS6021611</b>		<b>Warning Label kit</b>			
	16	Warning Label English	D	10	
	17	Warning Label French		10	

Separate spare parts on next page.

## DEROS RS 600, 150 mm Spare Parts (220-240V), (100-120V)

Mirka Code	Item	Description	Kit	Qty	Tightening Torque
MRS6010111	1	Button Plate		1	
MIE9016011	2	Rewireable Mains Cable 4,3m CE 230V EU		1	
MIE9017011	2	Rewireable Mains Cable 4,3m CE 230V UK		1	
MIE9017111	2	Rewireable Mains Cable 4,3m CE 230V CH		1	
MIE9017511	2	Rewireable Mains Cable 4,3m CE 230V ANZ		1	
MIE9017411	2	Rewireable Mains Cable 4,3m 230V CN		1	
MIE9017211	2	Rewireable Mains Cable 4,3 m 100-120 V US		1	
MIE9017311	2	Rewireable Mains Cable 4,3 m 100-120 V UK		1	
MRS6010311	3	Housing Left		1	
MRS6010411	4	Motor 230V*		1	
MRS6060411	4	Motor 110V*		1	
MRS6010511	5	Speed Controller 230V*		1	
MRS6060511	5	Speed Controller 110V*		1	
MIW9511611	6	Hose Connector		1	
MRS6010711	7	Housing Right		1	
	8	Screw 3 x 14 mm	A	11	1,3 Nm/1,0 ft-lb
	9	Type Label	C	1	
MRS6011011	10	Fan		1	
8995604121	11	Pad Wrench 24mm		1	
	12	Screw 2.5 x 10 mm	A	4	0,6 Nm/0,4 ft-lb
	13	Skirt	B	1	
MRS6011411	14	Skirt Cap	B	1	
8292605011	15	Backing Pad Net 150mm 5/16" Grip 48H Medium		1	
	16	Warning Label English	D	1	
	17	Warning Label French	D	1	

\* Spare parts only available to authorized repairers.